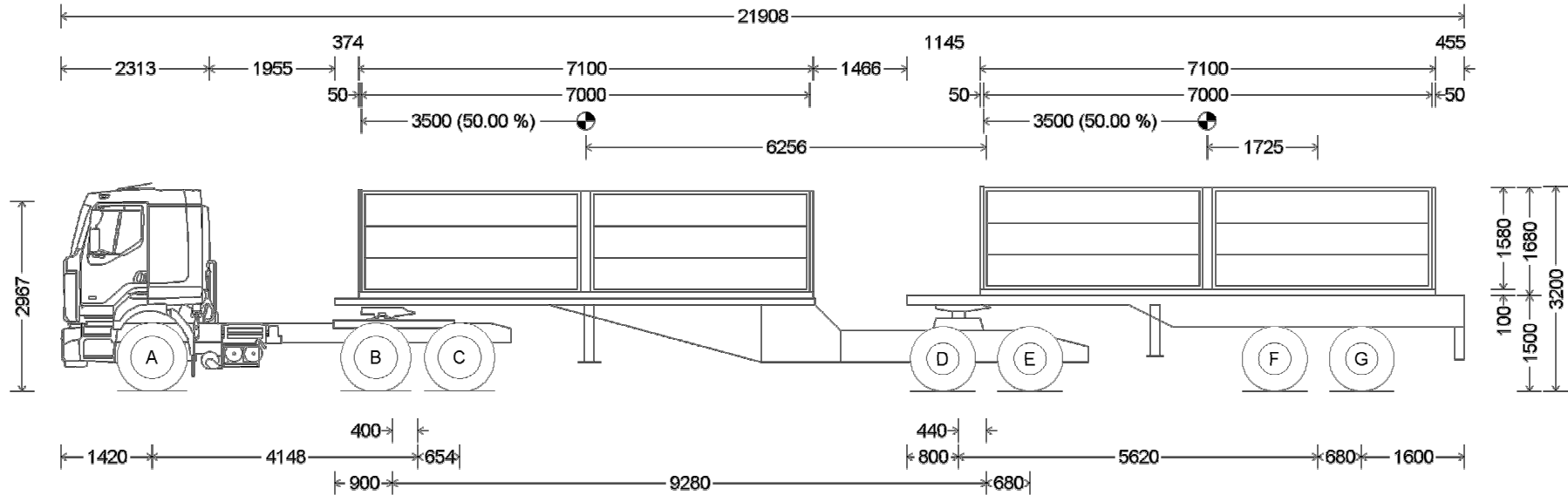


Loading Estimate (Side View - Summary) Renault Premium Lander 380.26 6x4 Alliance



Veh. Front	Veh. Rear		Trailer 1	Total	Trailer 2
4,419 kg	4,121 kg	Unladen Veh.		8,540 kg	
113 kg	1,056 kg	Unladen Tr. 1	3,681 kg	4,850 kg	
3 kg	25 kg	Unladen Tr. 2	562 kg	4,400 kg	3,810 kg
4,535 kg	5,202 kg	Unladen Tot.	4,243 kg	17,790 kg	3,810 kg
1,242 kg	11,637 kg	Payload Tr. 1	6,226 kg	19,105 kg	
27 kg	251 kg	Payload Tr. 2	5,586 kg	19,105 kg	13,241 kg
1,269 kg	11,888 kg	Payload Tot.	11,812 kg	38,210 kg	13,241 kg
5,804 kg	17,090 kg	Gross	16,055 kg	56,000 kg	17,051 kg
7,700 kg	18,000 kg	Permissible	18,000 kg	56,000 kg	18,000 kg
-24.62 %	-5.06 %	Overload	-10.81 %	0.00 %	-5.27 %

Notes

- Trailer 1: Custom Trailer; Trailer 2: Custom Trailer
- Trailer 1 accessories added = Custom Dropside Body - 85 kg/m
- Trailer 2 accessories added = Custom Dropside Body - 168 kg/m
- Legislation = South African Road Traffic Act; Vehicle Spec Date = 2009-07-17

Warnings

- Overloaded on Bridge Formula
- Rollover stability is not calculated
- Swing clearance not calculated for landing legs
- Left versus right mass distribution is not calculated

Prepared By :
Phone :

Prepared For :
Phone :

Date Created : 19 July 2012
Date : 19 July 2012

DISCLAIMER: The information in this report is an estimate only, the supplier of this report and the supplier of the software shall not be liable for consequential damage or loss arising from the reliance on the information supplied in this report.